

LEFT END VIEW

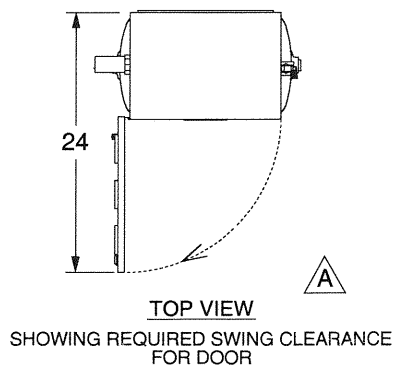
FRONT VIEW WITH DOOR CLOSED

FRONT VIEW WITH DOOR REMOVED

RIGHT END VIEW

NOTES:

1. ALL DIMENSIONS ARE APPROXIMATE AND LISTED IN INCHES UNLESS OTHERWISE SPECIFIED.
2. SEE DATA SHEET TO IDENTIFY MAJOR GAS, MINOR GAS # 1, AND MINOR GAS # 2.
3. ITEMS MARKED WITH AN ASTERISK (*) ARE PARTS OF THE OPTIONAL PRESSURE ALARM SYSTEM.
4. 100 VAC, 220 VAC AND 240 VAC VERSIONS ARE SUPPLIED WITHOUT ANY POWER CORD.
5. POWER CONNECTION TERMINAL BLOCK IS 4-POSITION FOR 100 AND 115 VAC POWER AND 6-POSITION FOR 220 VAC AND 240 VAC POWER.



REVISIONS	BY	DATE
F		
E		
D		
C		
B	GAR	4-8-11
A	GAR	7-11-03

Thermco INSTRUMENT CORPORATION
 LA PORTE, INDIANA USA

TITLE:
INSTRUCTION DRAWING FOR MODELS 8610 AND 8615 GAS MIXERS

DATE:	4-16-03
SCALE:	N.T.S.
DRAWN BY:	DB
APPROVED BY:	<i>gar</i>
SUPERSEDES:	2-11708
DRAWING NUMBER:	2-12228